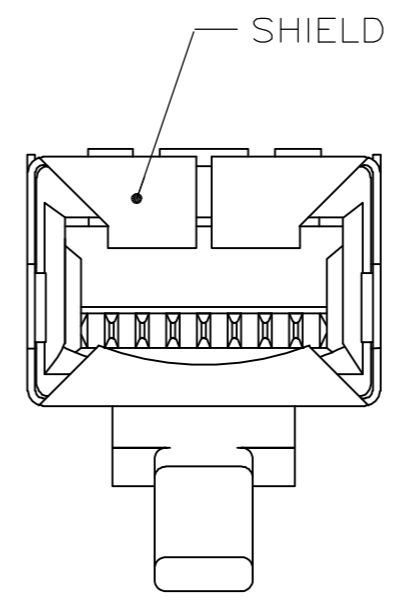
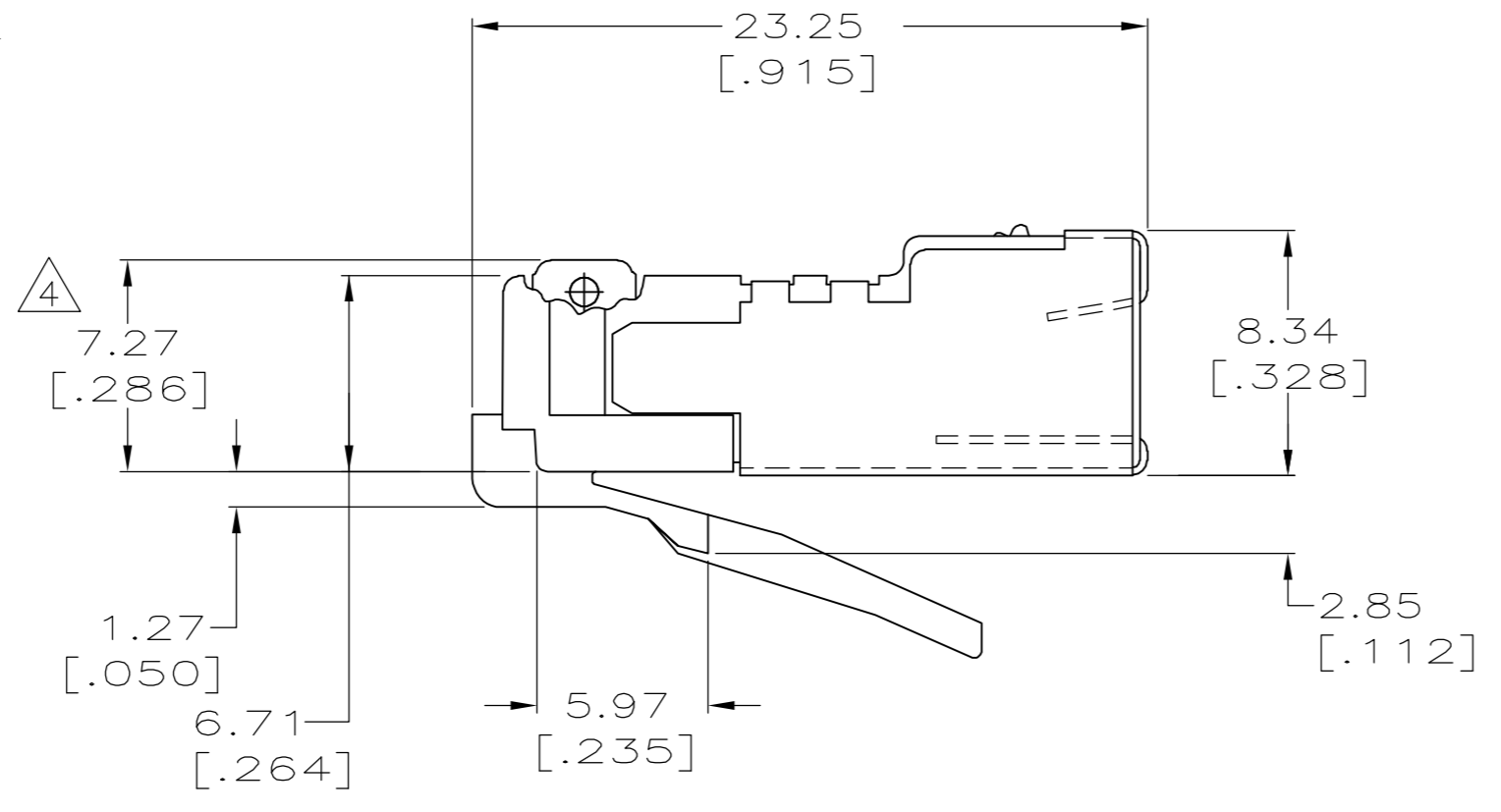
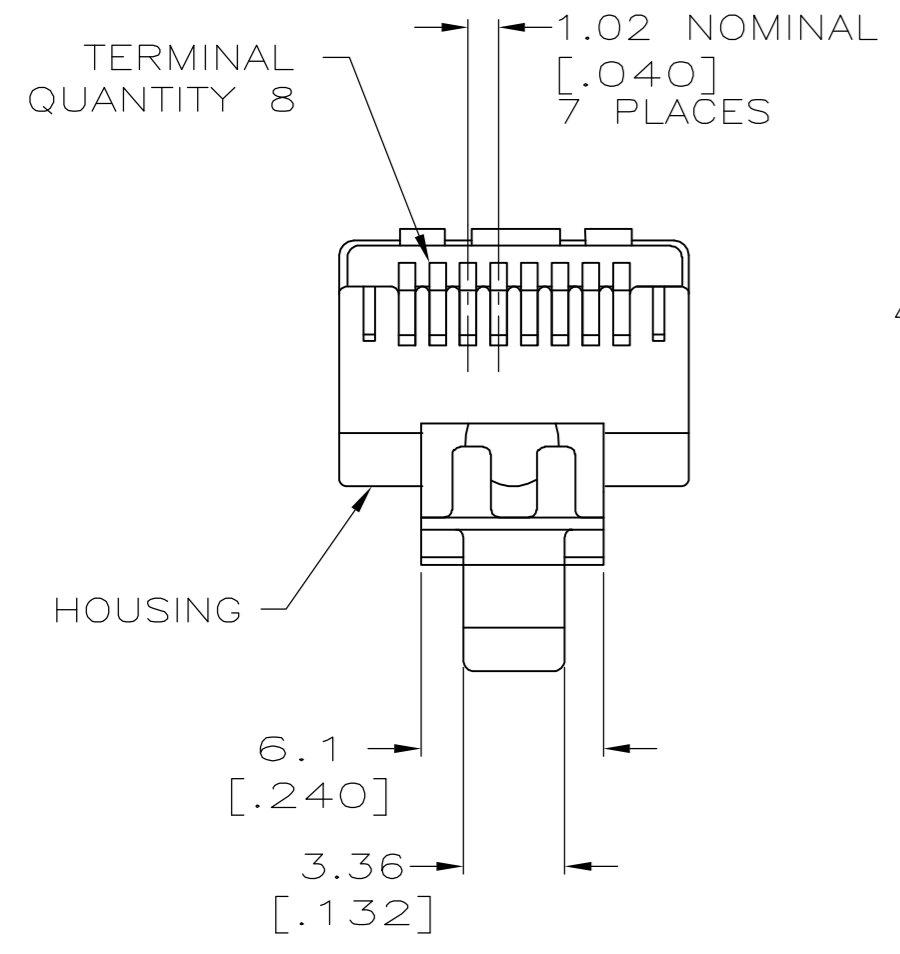
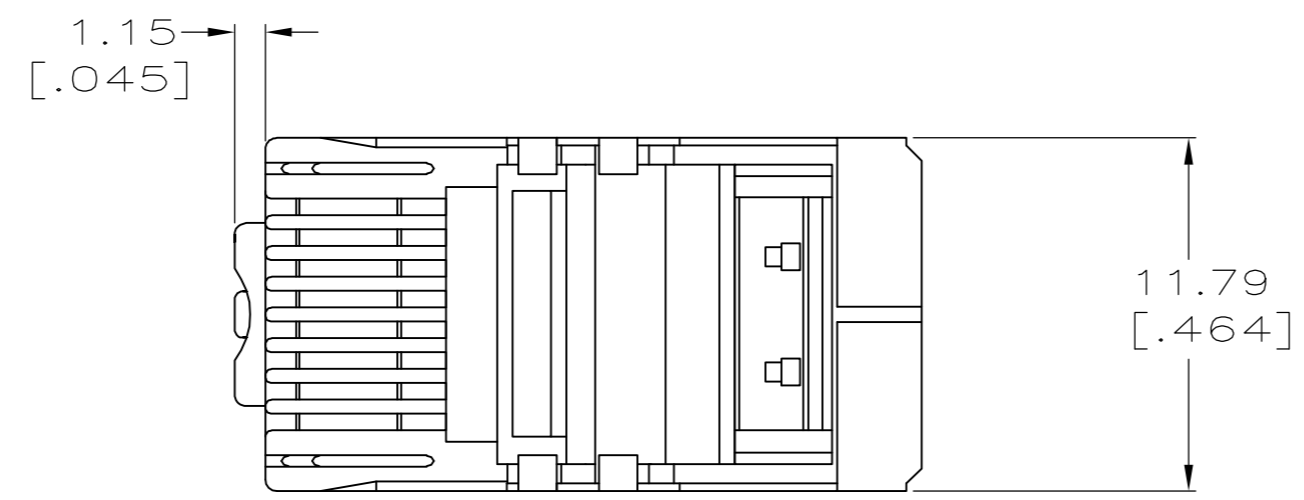


THIS DRAWING IS UNPUBLISHED. RELEASED FOR PUBLICATION  
 © COPYRIGHT BY TYCO ELECTRONICS CORPORATION. ALL RIGHTS RESERVED.

LOC	DIST	REVISIONS					
HM	00	P	LTR	DESCRIPTION	DATE	DWN	APVD
		C		REV ECO-06-022160	30OCT06	LH	CD

- 1. DIMENSIONS ARE MAXIMUM UNLESS OTHERWISE SPECIFIED.
- 2. MATERIAL: HOUSING - POLYCARBONATE, CLEAR  
 TERMINAL - PHOSPHOR BRONZE, PLATED WITH 1.27µm [.000050] MINIMUM THICK GOLD IN LOCALIZED GOLD PLATE AREA, GOLD FLASH OVER THE REMAINDER, OVER 2.54µm [.000100] MINIMUM THICK NICKEL UNDERPLATE.  
 SHIELD - COPPER ALLOY WITH 1.27µm [.000050] MINIMUM SEMI-BRIGHT (SATIN) NICKEL.
- 3. PLUG WILL ACCEPT 24 OR 26 AWG SOLID WIRE, 0.74-0.99 [.029-.039] DIAMETER, WITH A 5.08 [.200] DIAMETER MAXIMUM JACKET.
- 4. TERMINATED DIMENSION 6.15 [.242] MAXIMUM.
- 5. PACKAGED 500 ASSEMBLIES PER CARTON.
- 6. PACKAGED 100 ASSEMBLIES PER BOX.
- 7. PACKAGED 25 ASSEMBLIES PER POLYBAG.



7	5-569530-4
6	5-569530-3
5	5-569530-2
PACKAGED	PART NUMBER

THIS DRAWING IS A CONTROLLED DOCUMENT.		DWN L. HALL 25OCT2006	Tyco Electronics Corporation Harrisburg, PA 17105-3608	
DIMENSIONS: mm [INCHES]		CHK C. DOOLEY 30OCT2006		
TOLERANCES UNLESS OTHERWISE SPECIFIED:		APVD C. DOOLEY 30OCT2006	NAME	
0 PLC ± -		PRODUCT SPEC	MODULAR PLUG ASSEMBLY, 8 POSITION, SHIELDED, ROUND CABLE, SOLID WIRE	
1 PLC ± -		108-1163	SIZE A2	CAGE CODE 00779
2 PLC ± -		APPLICATION SPEC	DRAWING NO C=569530	RESTRICTED TO -
3 PLC ± -		114-6016	SCALE 4:1	SHEET 1 of 1
4 PLC ± -		WEIGHT -	REV C	
ANGLES ± -		CUSTOMER DRAWING		
FINISH				